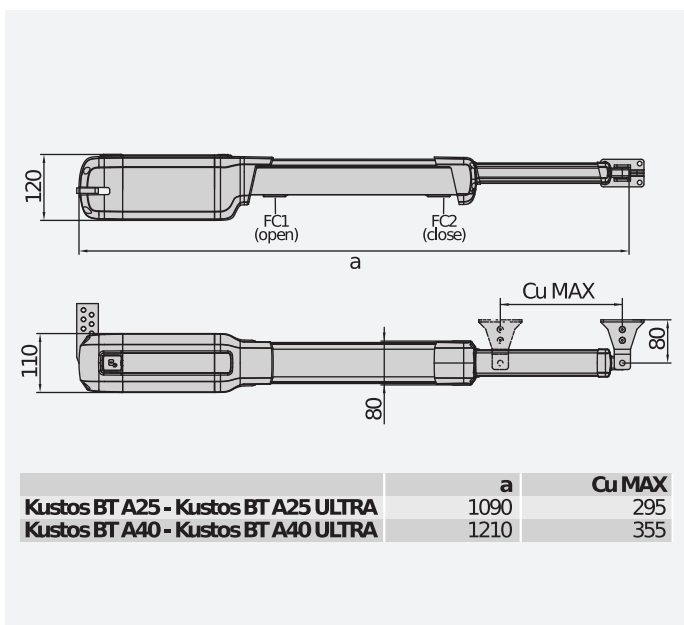




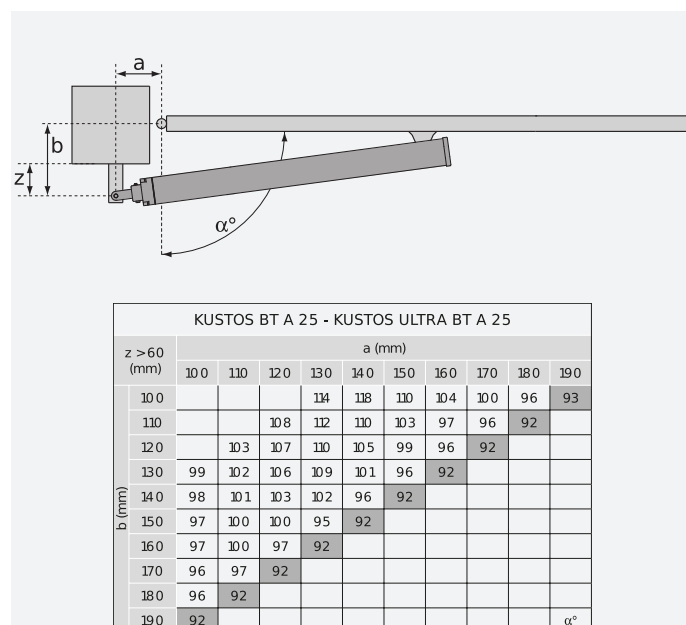
Complete range of electromechanical pistons for residential use, suitable for swing gate leaves up to 4 metres wide and weighing up to 500 kg.

Quick and practical installation: the new KUSTOS BT A operators are designed to allow a quick and easy installation thanks to a numbers of important measures such as the magnetic limit switches and the magnetic locking pin.

## DIMENSION (MM)



## INSTALLATION DIMENSIONS



## TECHNICAL FEATURES

	KUSTOS BT A25	KUSTOS BT A40
Control unit	ZARA BTL2	
Board power supply	230 V	230 V
Motor voltage	24 V	24 V
Power input	40 W	40 W
Max. width of door/gate wing	2.5 m	4 m
Max. weight of door/gate wing	400 kg	500 kg
Useful rod stroke	250 mm	355 mm
Maximum angle	118 °	126 °
Cycle time	13 s	17 s
Type of limit switch	Magnetic	Magnetic
Slowdown	Yes	Yes
Locking	Mechanical	Mechanical
Release	Personal key	Personal key
Impact reaction	D-Track	D-Track
Frequency of use	intensive	intensive
Protection rating	IP44	
Environmental conditions	-20 ÷ 55 °C	

		Description	
P935099 00002	KUSTOS BT A25	Irreversible electromechanical operator 24 V for swing gates weighing up to 400 kg and 2.5 m long. Covered worm screw. Magnetic limit switch.	U-Link
P935100 00002	KUSTOS BT A40	Irreversible electromechanical operator 24 V for swing gates weighing up to 500 kg and 4 m long. Covered worm screw. Magnetic limit switch.	U-Link
R935307 00005	KUSTOS BT KIT A25 FRA	Complete kit 24 V for swing gates up to 400 kg in weight and 2.5 m in length. Covered worm screw. Magnetic limit switch.	U-Link
R935310 00005	KUSTOS BT KIT A40 FRA	Complete kit 24 V for swing gates up to 500 kg in weight and 4 m in length. Covered worm screw. Magnetic limit switch.	U-Link

### ZARA BT L2: Control panel with dip switches and potentiometers for one or two 24V operators for swing gates.

#### D113796 00002 - ZARA BT L2 - Recommended



- Control panel with dip switches and potentiometers for one or two 24V operators for swing gates
- Application: control panel for one or two 24V operators for swing gates
- Board power supply: 230V single-phase
- Operators power supply: 24Vdc 180W max each operator
- Main features: new standard colour removable terminal blocks, dip switch programming and integrated dual channel receiver, D-Track anti-crushing system, slowdown during opening and closing and electronic self-learning, pedestrian control only from remote control
- Main functions: automatic re-closing, fast closing, partial opening, deadman feature
- Compatibility: LIBRA C MA, LIBRA, LIBRA R, LIBRA MA R

## RECOMMENDED ACCESSORIES

D113745 00002 - <b>THALIA P</b>	Control panel with display for one or two 24V electromechanical operators for swing gates.	D113747 00002 - <b>THALIA P</b>	Control panel for one or two 24V electromechanical and hydraulic operators for swing gates with electric lock management, for highly complex systems.
N733647 - <b>ARB KUSTOS POSTERIORE</b>	Pair of adjustable rear fixing brackets for Kustos BT A.	N733646 - <b>ARB KUSTOS ANTERIORE</b>	Front adjustable fixing brackets for Kustos BT A.
D730178 - <b>PLE</b>	Anchor plate for welding the mountings to masonry pillars for LUX, ORO, PHOBOS N operators.	N733722 - <b>SFR A</b>	Adjustable bracket for PHOBOS BT A, PHOBOS AC A, KUSTOS BT A.
N733723 - <b>SFR L A</b>	Adjustable bracket for PHOBOS BT A, PHOBOS AC A, KUSTOS BT A.	N999404 - <b>CABLE N BT</b>	Control unit connecting cable for PHOBOS BT A, KUSTOS BT A. Coil of 100 m, 3x1,5.
P125020 - <b>BBT BAT</b>	Set of backup batteries for THALIA and THALIA P.	D111761 - <b>ME BT</b>	Control board for 24Vac solenoid lock for 24V automation systems.

